

Baselight Kompressor datasheet



Seamless connectivity between Baselight and Avid systems

Seamless connectivity to Avid Unity™ and Isis® storage systems

Baselight Kompressor provides easy interoperability between Baselight grading operations and Avid® editing systems without ever needing to copy media.

Baselight Kompressor integrates with a single Baselight system, or into the Baselight high-speed, dedicated, 'cloud' network, allowing you to natively mount Avid storage and browse, read or write native Avid MXF media.

Baselight Kompressor encodes and decodes Avid DNxHD® media on-the-fly, providing greater workflow efficiency, and can optionally provide extended codec support for Baselight, including the Apple ProRes family of codecs—and more codecs can be installed as required.

For the Baselight colourist upgrading to a Kompressor environment, there is nothing new to learn—the Avid Workspaces appear like any other media directory, and the extra codecs are automatically available for decoding source material or for rendering results.

Baselight Kompressor allows an easy upgrade path for a collaborative, non-linear editing and grading environment, with future-proofing built-in.

Specifications

| Technical data | | Notes |
|------------------------------|--|--|
| Dimensions | 447 x 44 x 762mm (w x h x d) | 19" rack mount, 1U with rack mount rails |
| Weight | 18kg | |
| Power | 100-240V 8 Amps max 50/60Hz | 4 Amps at 240V Frequency |
| Heat output | 1 kW/3412 BTU | |
| Operating environment | 10–35 deg C 5% to 95% humidity, non-condensing Front to rear airflow | |
| Connectivity | 2 x 1Gig Ethernet 1 x 10Gig Ethernet 1 x FC4 SFP fibre 1 x 10Gig Ethernet | RJ45 connectors (one reserved for house network) CX4 copper connector to Baselight Optional for Unity connection Optional CX4 Fibre for Isis connection |
| Disk connections | 2 x FW800 3 x USB 2.0 | Back panel 2 x back panel, 1 x front panel |
| Processor cores | 2 x quad core | |
| User Interface | Remote | Via VNC |
| Software | Baselight 4.1m1 or later | |
| Warranty | 1 year | |

FilmLight

Connectivity

Baselight Kompressor connects to any Baselight cloud network via a single 10Gigabit Ethernet port. It can also be attached directly to Baselight ONE, Baselight HD and Baselight TRANSFER systems with a 10Gigabit Ethernet adaptor.

Within larger networks, Baselight Kompressor acts as a network resource providing connectivity to numerous systems—multiple Kompressors can be configured to provide dedicated access to different Unity|Isis systems or to manage data flows throughout the network.

To connect with an Avid storage subsystem, the Kompressor requires an appropriate network port:

- **Unity:**
1Gig Ethernet inbuilt or FC4 Fibre with optional adaptor.
- **Isis:**
1Gig Ethernet inbuilt or 10Gig Ethernet with optional adaptor.

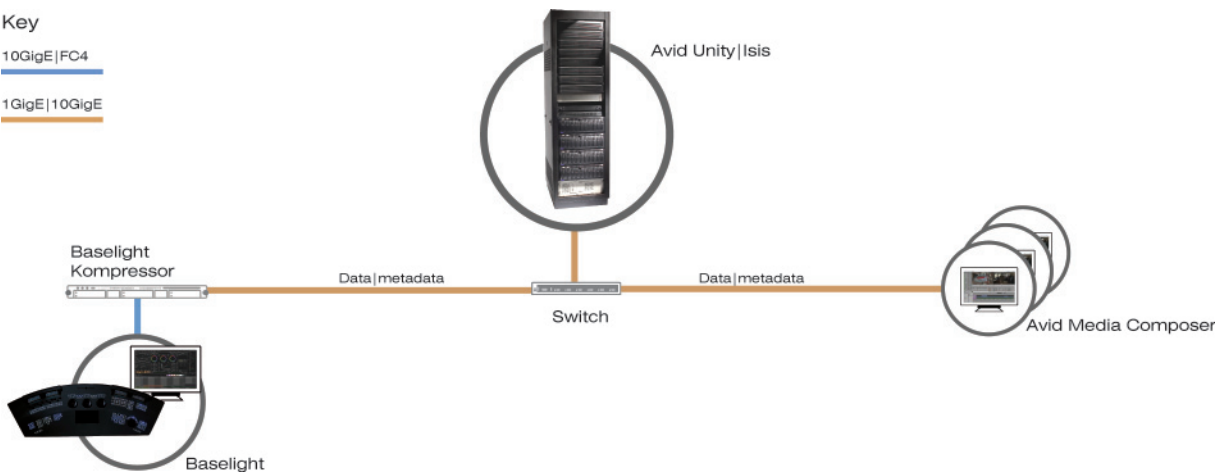
An Avid client driver licence is also required.

Baselight ONE|Baselight HD|Baselight TRANSFER connectivity

Key

10GigE|FC4

1GigE|10GigE

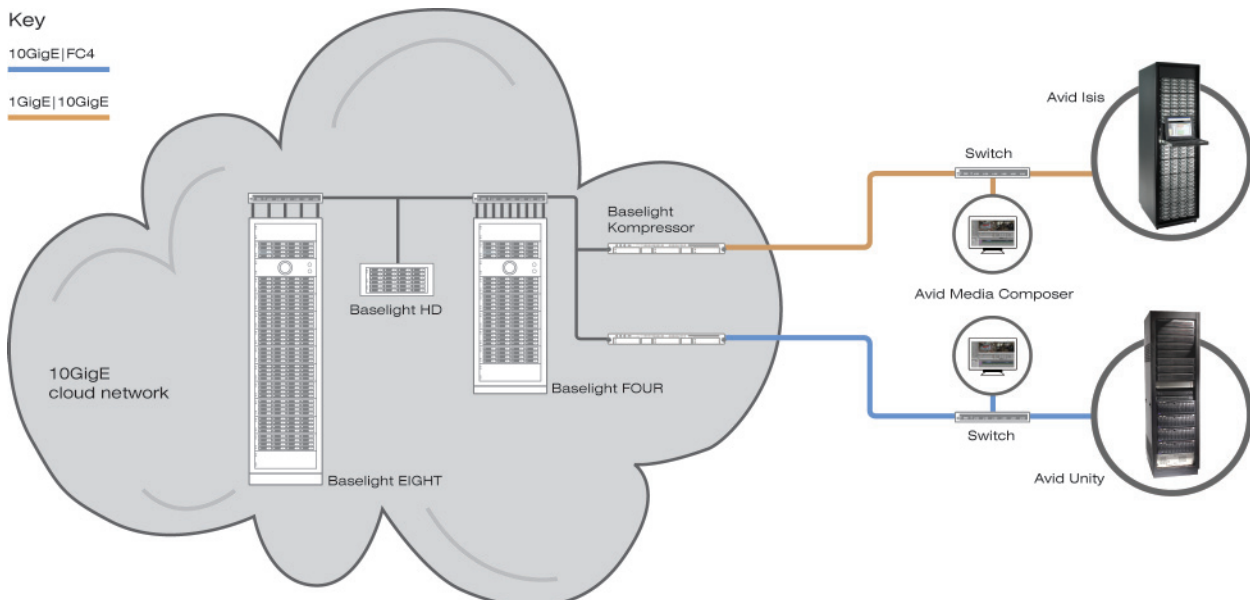


Baselight cloud connectivity

Key

10GigE|FC4

1GigE|10GigE



Avid, Avid Unity, Isis and Avid DNxHD are trademarks or registered trademarks of Avid Technology, Inc. or its subsidiaries in the United States and /or other countries.

Main Office (London):
London, UK
t: +44 (0)20 7292 0400
f: +44 (0)20 7292 0401

USA Office:
Los Angeles, CA, USA
t: +1 (323) 785 1630
f: +1 (323) 785 1649

Asia Pacific Office:
Singapore, SG
t: +65 9670 3283
f: +65 6234 1575

www.filmlight.ltd.uk
info@filmlight.ltd.uk

FilmLight